

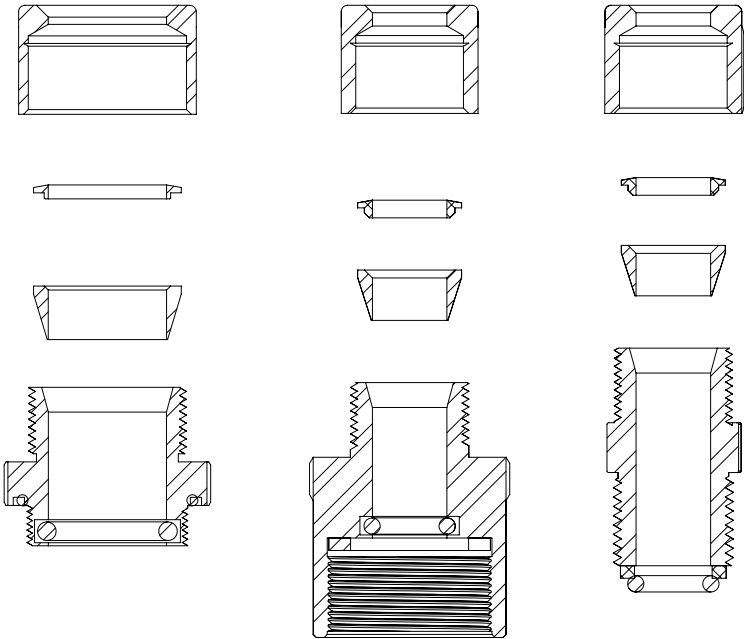
# FUTURA probes

## Port Adaptors

### Product specification

The port adaptors are designed to allow the 12mm straight Aber probes to be fitted into either Braun or Applikon 19mm (3/4") top plate, female port fitting. The New Brunswick version is similar but fits a male threaded port on either the top plate or side entry port. The O' rings provide a seal and the nut with nylon ferrules lock the probe in place.

For recommendations on suitable products for your application, please contact [sales@aberinstruments.com](mailto:sales@aberinstruments.com)



12mm probe to  
19mm Braun  
Sartorius metric port

12mm probe to  
19mm New Brunswick  
metric port

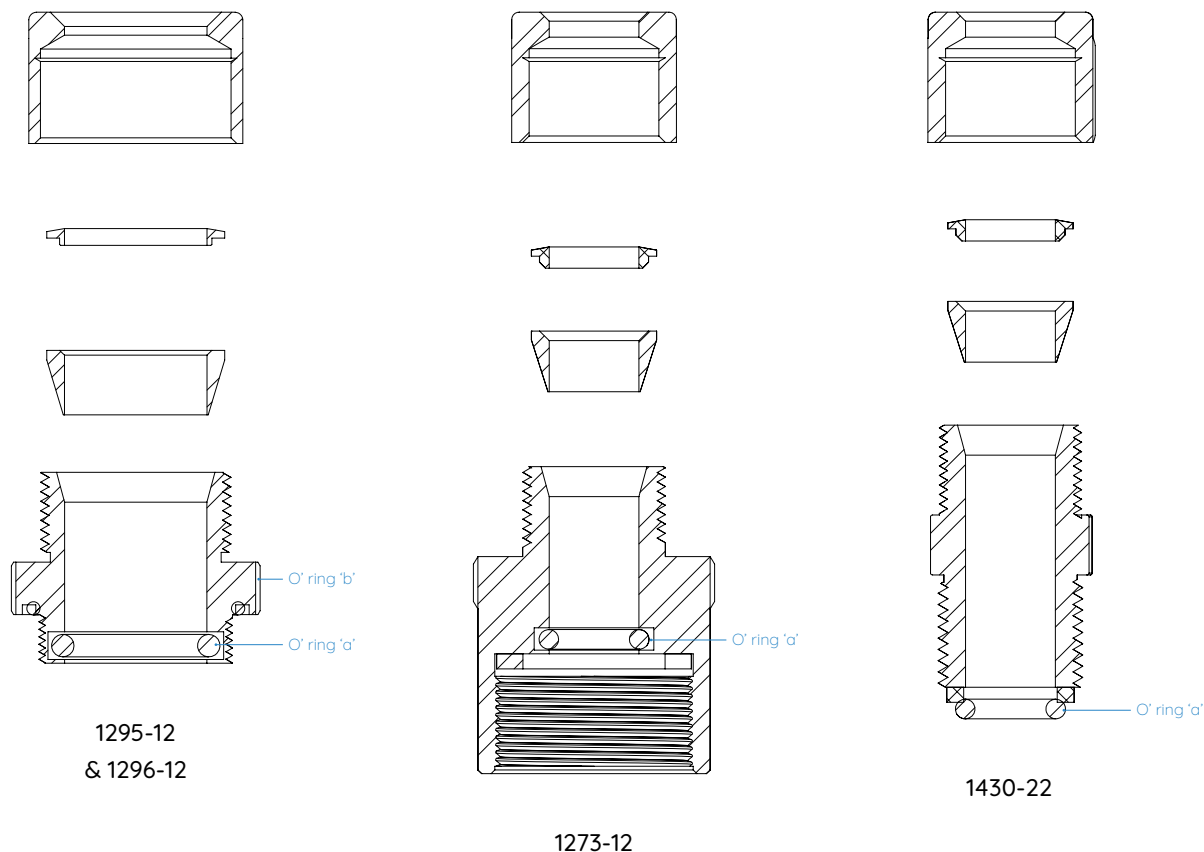
PG 13.5 Adaptor  
for 12 mm  
probes

12mm probe to  
19mm Applikon  
imperial port

# FUTURA probes

## Port Adaptors

### Product specification



Part No.	Description	Wetted O'ring 'a'	Sealing O'ring 'b'	Sealing Washer 'c'	Mating thread
1295-12	12mm probe to 19mm Braun Sartorius metric port	Silicone FDA 10.78 x 2.62	EPDM 26.7 x 1.78	-	26 x 1 mm PITCH
1296-12	12mm probe to 19mm Applikon imperial port	Silicone FDA 10.78 x 2.62	EPDM 26.7 x 1.78	-	3/4" BSP
1273-12	12mm probe to 19mm New Brunswick metric port	Silicone FDA 10.78 x 2.62	-	Silicone FDA 19 x 3.5 x 2	26 x 1 mm PITCH
1430-22	PG 13.5 Adaptor for 12 mm probes	Silicone FDA 10.78 x 2.62	-	-	PG 13.5

All measurements in mm

