

FUTURA

Standard Futura

Product specification

Lightweight housing suitable for most bioreactors and is ideal for 25mm diameter side mounted probes and 12mm probes on vessels where the centreline of the probe is greater than 15mm from the centreline of the vessel. (Supplied with a 2 metre cable).

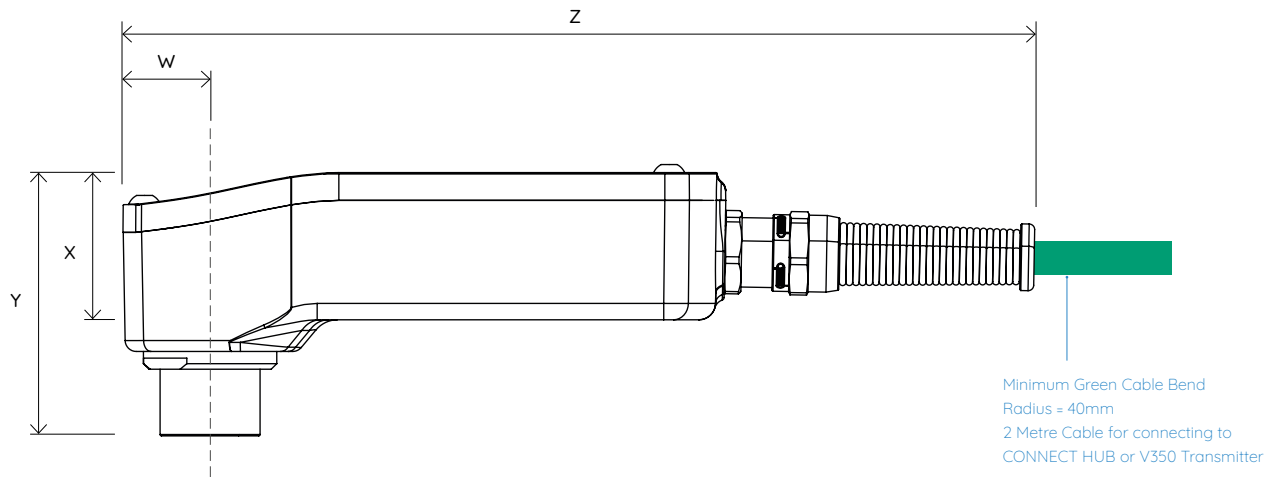
For recommendations on suitable products for your application, please contact sales@aberinstruments.com



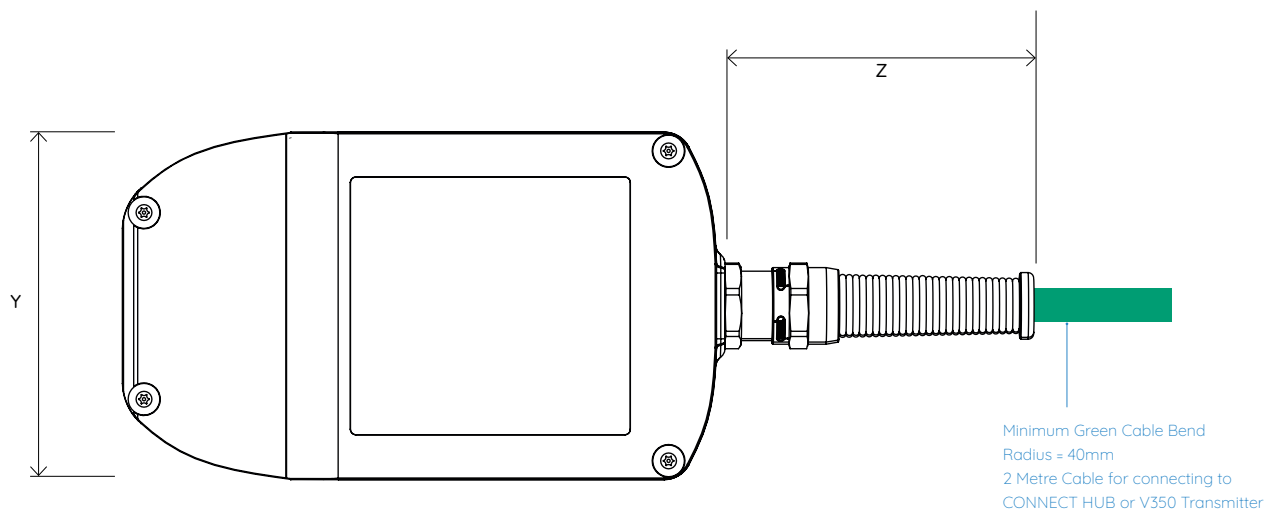
FUTURA

Standard Futura

Product specification



Part Number	Description	Dimensions (mm)			
		W	X	Y	Z
2330-00	Standard Futura	15	27	47	164



Part Number	Description	Dimensions (mm)			
		W	X	Y	Z
2330-00	Standard Futura	-	-	62	56

FUTURA

Standard Futura

Technical specification

Frequency Range:	50KHz to 20MHz
Measuring Ranges:	Capacitance: 0.0 to 400 pF/cm Conductivity: 1.0 to 40 mS/cm (Higher ranges available with compatible probes)
Cell Concentration Range:	Depends on cell sizes but typically: Yeast (6 µm): 10 ⁶ Cells/ml to 10 ¹⁰ Cells/ml Bacteria (1 µm): 10 ⁹ Cells/ml to 10 ¹³ Cells/ml Animal Cell (12 µm): 10 ⁵ Cells/ml to 10 ⁹ Cells/ml Plant Cell (50 µm): 10 ³ Cells/ml to 10 ⁷ Cells/ml
Resolution:	Resolution: 0.1 pF/cm. Bacteria typically 2g/L dry weight or 2x10 ⁹ Cells/ml for E. Coli. Yeast or Animal Cells 0.05g/L or 1 x10 ⁵ Cells/ml The relationship of these capacitance values to biomass levels depend upon the cell type and cell line
Accuracy:	Better than ± 3% or ± 2% of the reading
Stability:	Better than ± 0.2 pF/cm at constant temperature with standard conductivity solution of ~12 mS/cm
Linearity:	Better than ± 1% over 100 pF/cm
Precision:	<± 0.5 pF/cm, no filter active
Power Supply:	24V DC power is typically supplied by an Aber CONNECT Hub running on 110V AC to 240V AC mains.
Environmental:	IP65 rated ; Reccommended ambient operating temperature range: 5°C to 40°C
Weight:	Main enclosure: 211g ; Remote enclosure: 203g

