

FUTURA

V350 wall mount

Product specification

The V350 modules are ideal when a local interface is required close to the bioreactor. The operator can input Futura settings and monitor process values locally.

For recommendations on suitable products for your application, please contact sales@aberinstruments.com

V350 Wall Mount

Connects to any single Futura option and is programmable for different applications.

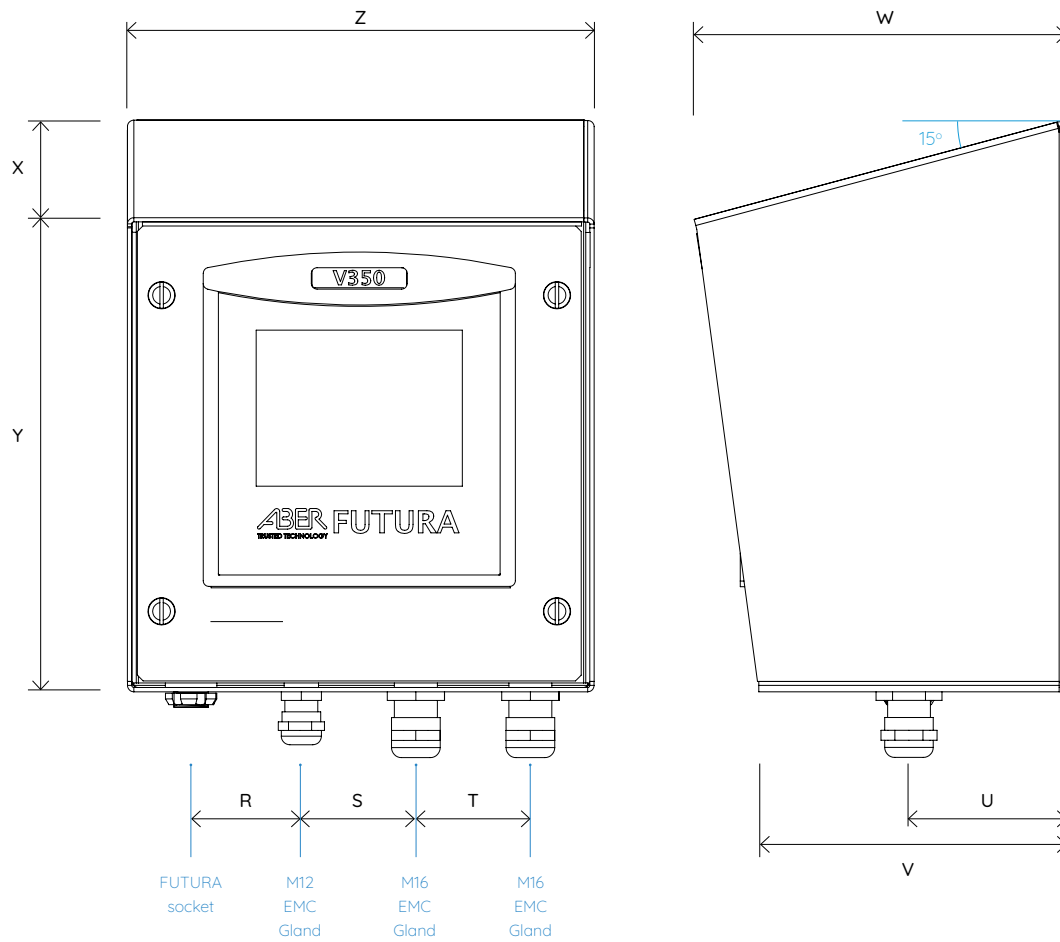
- Provides power to a single Futura.
- Provides 2 x 4-20mA current loops for capacitance and conductivity.
- Displays graphs of recorded data.
- 1 Futura pass through USB connection
- 1 x Alarm Relay



FUTURA

V350 wall mount

Product specification



Part Number	Description	Dimensions (mm)								
		R	S	T	U	V	W	X	Y	Z
3550-00	V350 wall mount	38.5	40	40	55	114	135	35	165	165

FUTURA

V350 wall mount

Technical specification

Measuring Ranges	Capacitance: 0 to 400pF/cm, equivalent Cells/ml Conductivity: 1 to 40mS/cm.
Power Supply:	+24V DC
Power Consumption:	15W Maximum
Battery Backup::	7 years typical, at 25°C (Clock and Data Only)
Electrical Safety::	Must be mounted in a suitable grounding system. Refer to installation instructions
Environmental::	IP65 for fascia, when mounted in suitable panel. Safe ambient operating temperature range: 5°C to 40°C Recommended ambient operating temperature range: 15°C to 30°C Relative Humidity: < 85%. Pollution: Deg 2. (EN61010) Recommended operating altitude: < 2000m